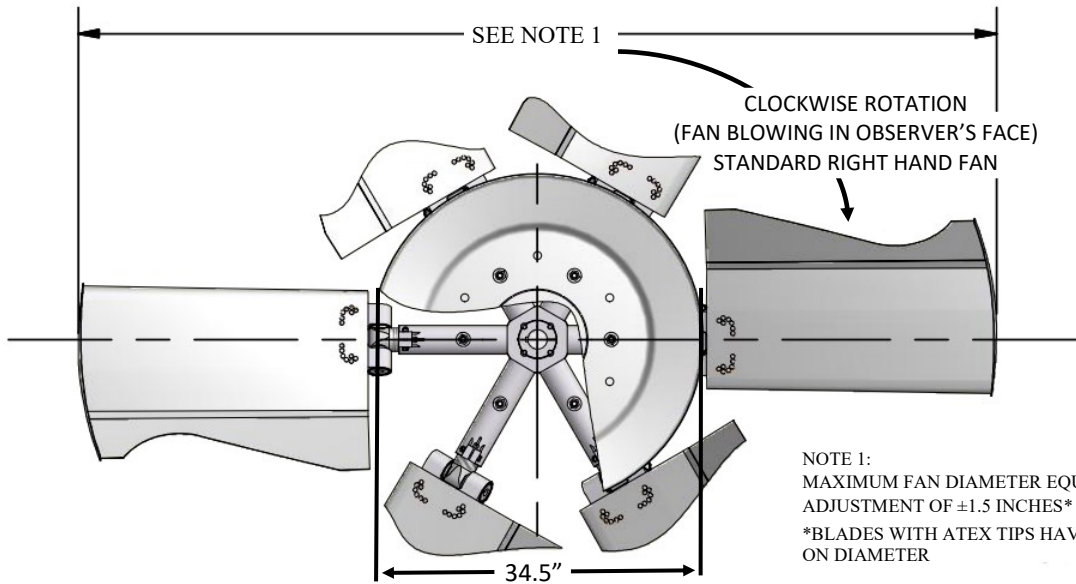
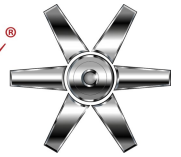


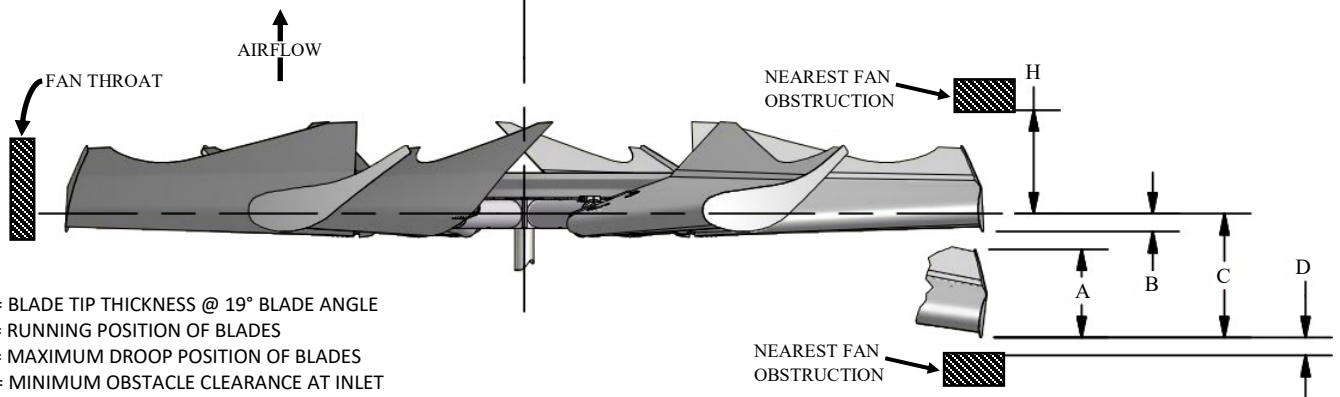
# CLASS 10000 HD SERIES 36 EC

## EXTENDED CHORD, RH ROTATION

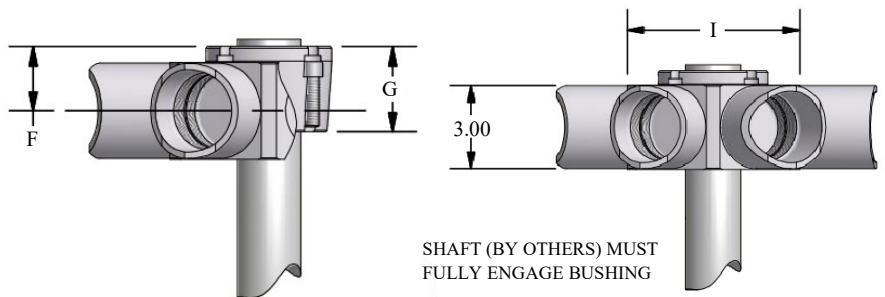
**Moore**  
FANS



NOTE 1:  
MAXIMUM FAN DIAMETER EQUALS NOMINAL FAN DIAMETER.  
ADJUSTMENT OF ±1.5 INCHES\* POSSIBLE AT INSTALLATION  
\*BLADES WITH ATEX TIPS HAVE ADJUSTMENT OF -1.0" & +2.0" ON DIAMETER



- A = BLADE TIP THICKNESS @ 19° BLADE ANGLE
- B = RUNNING POSITION OF BLADES
- C = MAXIMUM DROOP POSITION OF BLADES
- D = MINIMUM OBSTACLE CLEARANCE AT INLET
- F = CENTERLINE OF FAN TO BASE OF BUSHING
- G = BUSHING OVERALL HEIGHT
- H = MINIMUM OBSTACLE CLEARANCE AT OUTLET
- I = NOMINAL MECHANICAL HUB DIAMETER
- L = MAXIMUM BUSHING TORQUE FT. LBS.
- # = WITH S.A.E. STANDARD SQUARE KEYWAY
- \* = WITH SHALLOW KEYWAY IN BUSHING
- ° = MAX METRIC BORE WITH STANDARD KEYWAY



BUSHING AND/OR AIR SEAL  
CAN BE INSTALLED ON INLET  
OR OUTLET SIDE OF FAN

**WITH FAN OPERATING AT  
12000 FT/MINUTE BLADE TIP SPEED**

**PERCENT BLADE  
LOADING**

DIA	A	PERCENT BLADE LOADING		C	D	H
		100%	75%			
6'	7.5"	4.5"	4.4"	4.9"	2.0"	14.0"
7'	7.5"	5.0"	4.8"	5.7"	2.0"	14.0"
8'	7.5"	5.6"	5.2"	6.6"	2.0"	14.0"
9'	7.5"	6.4"	5.8"	7.8"	2.0"	14.0"
10'	7.5"	7.3"	6.5"	9.2"	2.0"	14.0"
11'	7.5"	8.3"	7.3"	10.8"	2.0"	14.0"
12'	7.5"	9.5"	8.2"	12.7"	2.0"	14.0"

MAX BLADES	BUSHING TYPE	MAX # BORE	MAX * BORE	MAX o BORE	I	F	G	L
6	U	2.750"	2.938"	75	7"	2.0"	2.7"	4000
8	U	2.750"	2.938"	75	9"	2.0"	2.7"	4000
10	U	2.750"	2.938"	75	12"	2.0"	2.7"	4000
6	W	3.750"	4.000"	100	9"	2.2"	2.8"	7300
8	W	3.750"	4.000"	100	9"	2.2"	2.8"	7300
10	W	3.750"	4.000"	100	12"	2.2"	2.8"	7300